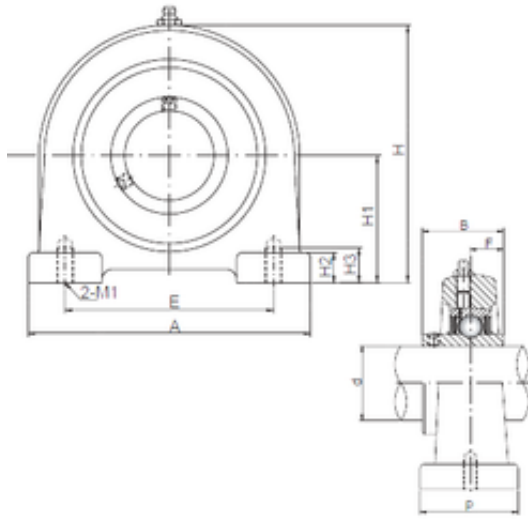




# NEI Manufacturing Bearing LTD.



## ISO UCPA202 bearing units

Bearing No. UCPA202

Bore Diameter	15 mm
d	15 mm
H3	15 mm
P	40 mm
A	76 mm
B	31 mm
E	52 mm
F	12,7 mm
H	62 mm
H1	30,2 mm
H2	11 mm
Bolt (G)	M10

UCPA202 Bearing 2D drawings and 3D CAD models