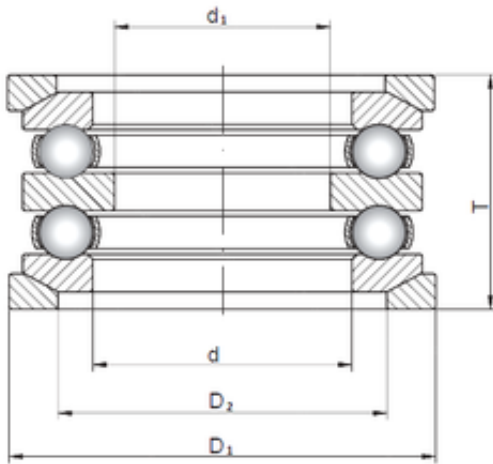




NEI Manufacturing Bearing LTD.

ISO 54415U+U415 thrust ball bearings

Bearing No. 54415U+U415



| | |
|---------------|--------|
| Bore Diameter | 78 mm |
| d | 78 mm |
| d1 | 60 mm |
| D1 | 165 mm |
| D2 | 115 mm |
| T | 135 mm |

54415U+U415 Bearing 2D drawings and 3D CAD models