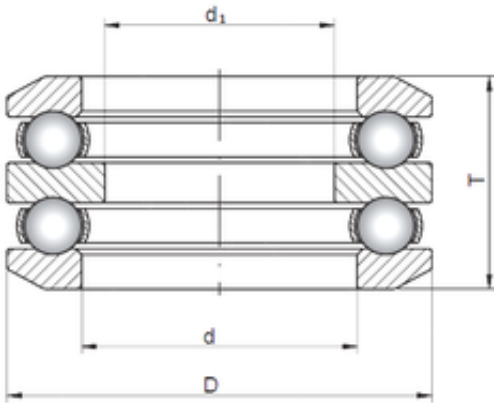




NEI Manufacturing Bearing LTD.

ISO 54322 thrust ball bearings



Bearing No. 54322

Size	113x190x118.4 mm
Bore Diameter	113 mm
Outer Diameter	190 mm
Width	118,4 mm
d	113 mm
d1	95 mm
D	190 mm
T	118,4 mm

54322 Bearing 2D drawings and 3D CAD models