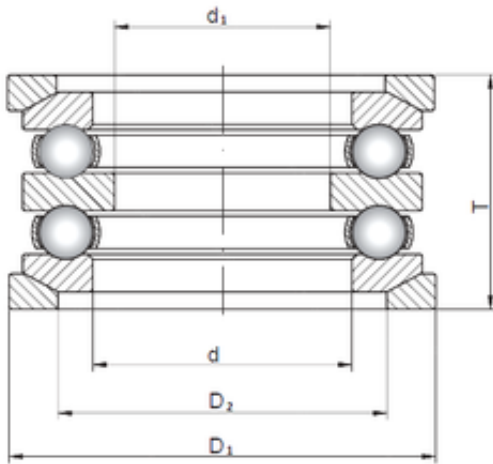




NEI Manufacturing Bearing LTD.

ISO 54244U+U244 thrust ball bearings

Bearing No. 54244U+U244



Bore Diameter	224 mm
d	224 mm
d1	190 mm
D1	310 mm
D2	260 mm
T	134 mm

54244U+U244 Bearing 2D drawings and 3D CAD models