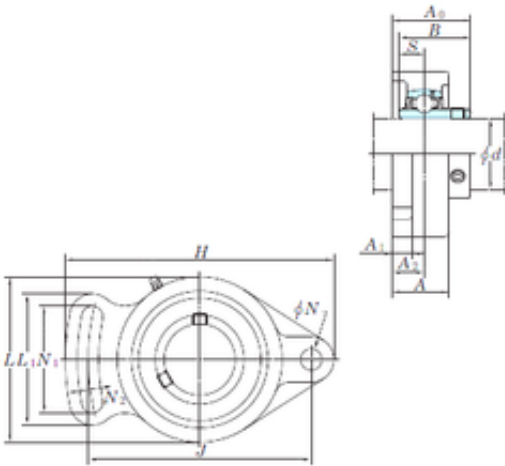




# NEI Manufacturing Bearing LTD.

## KOYO UCFA209-27 bearing units

Bearing No. UCFA209-27



UCFA209-27 Bearing 2D drawings and 3D CAD models

Bore Diameter	42,8625 mm
d	42,8625 mm
A0	52 mm
A	40 mm
A1	14 mm
B	49,2 mm
H	179 mm
J	148 mm
L	111 mm
L1	88 mm
N	15 mm
N1	72 mm
S	19 mm
Bolt (G)	M14
A2	21,8 mm
N2	15 mm
Weight	1,7 Kg
Basic dynamic load rating (C)	34,1 kN
Basic static load rating (C0)	21,3 kN