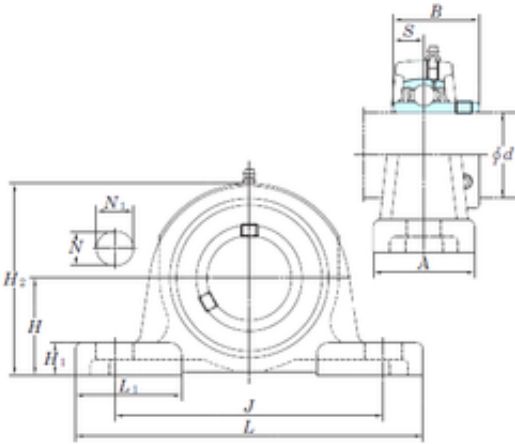




NEI Manufacturing Bearing LTD.

KOYO UCP311-32 bearing units

Bearing No. UCP311-32



UCP311-32 Bearing 2D drawings and 3D CAD models

| | |
|-------------------------------|---------|
| Bore Diameter | 50,8 mm |
| Width | 66 mm |
| d | 50,8 mm |
| A | 80 mm |
| B | 66 mm |
| H | 80 mm |
| H1 | 27 mm |
| H2 | 158 mm |
| J | 236 mm |
| L | 310 mm |
| L1 | 90 mm |
| N | 20 mm |
| N1 | 38 mm |
| S | 25 mm |
| Bolt (G) | M16 |
| Weight | 7,9 Kg |
| Basic dynamic load rating (C) | 71,6 kN |
| Basic static load rating (C0) | 45 kN |