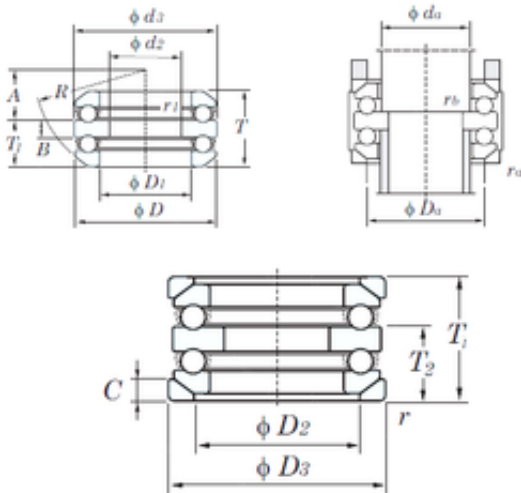




NEI Manufacturing Bearing LTD.



KOYO 54410U thrust ball bearings

Bearing No. 54410U

Size	40x110x83.2 mm
Bore Diameter	40 mm
Outer Diameter	110 mm
Width	83.2 mm
d2	40 mm
D	110 mm
T	83.2 mm
T1	92 mm
T1	50.6 mm
T2	55 mm
d3	110 mm
r min.	1.5 mm
r1 min.	0.6 mm
A	30 mm
B	18 mm
C	14 mm
D1	52 mm
D2	80 mm
D3	115 mm
R	90 mm
da min.	50 mm
Da max.	80 mm
ra max.	1.5 mm
rb max.	0.6 mm
Weight	4.39 Kg
Basic dynamic load rating (C)	148 kN

54410U Bearing 2D drawings and 3D CAD models



NEI Manufacturing Bearing LTD.

Basic static load rating (C0)	283 kN
(Grease) Lubrication Speed	1400 r/min