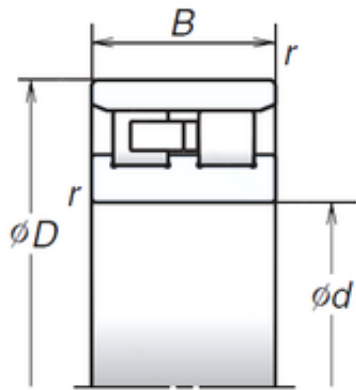




NEI Manufacturing Bearing LTD.



*Cylindrical Bore

80 mm x 125 mm x 34 mm NSK NN3016ZTB cylindrical roller bearings

Bearing No. NN3016ZTB

Size	80x113x34 mm
Bore Diameter	80 mm
Outer Diameter	113 mm
Width	34 mm
d	80 mm
D	125 mm
E	113 mm
B	34 mm
C	34 mm
r min.	1,1 mm
Weight	1,282 Kg
Basic dynamic load rating (C)	71 kN
Basic static load rating (C0)	93 kN
(Grease) Lubrication Speed	9 700 r/min

NN3016ZTB Bearing 2D drawings and 3D CAD models