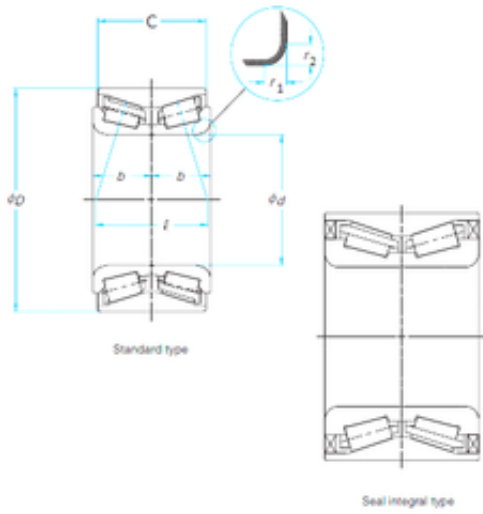




# NEI Manufacturing Bearing LTD.



38 mm x 68 mm x 37 mm NSK 38KWD02 tapered roller bearings

Bearing No. 38KWD02

Size	38x68x37 mm
Bore Diameter	38 mm
Outer Diameter	68 mm
Width	37 mm
d	38 mm
D	68 mm
B	37 mm

38KWD02 Bearing 2D drawings and 3D CAD models