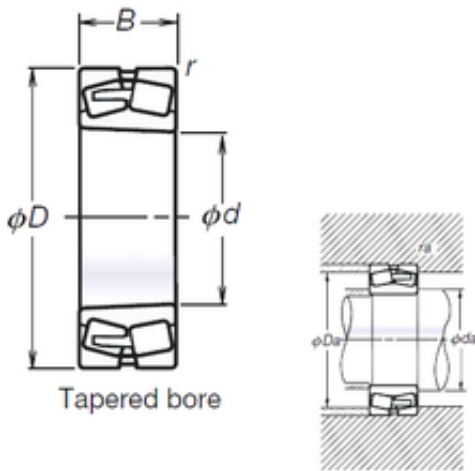




NEI Manufacturing Bearing LTD.



320 mm x 540 mm x 176 mm NSK
TL23164CAKE4 spherical roller bearings

Bearing No. TL23164CAKE4

Size	320x540x176 mm
Bore Diameter	320 mm
Outer Diameter	540 mm
Width	176 mm
d	320 mm
D	540 mm
B	176 mm
C	176 mm
r min.	5 mm
da min.	342 mm
Da min	518 mm
Da max.	466 mm
ra max.	4 mm
Weight	162 Kg
Basic dynamic load rating (C)	3050 kN
Basic static load rating (C0)	5500 kN
(Grease) Lubrication Speed	480 r/min
(Oil) Lubrication Speed	600 r/min
Calculation factor (e)	0,31
Calculation factor (Y0)	2,1
Calculation factor (Y2)	3,2

TL23164CAKE4 Bearing 2D drawings and 3D CAD models