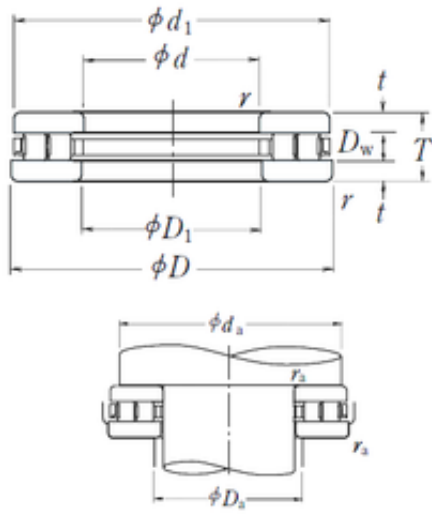




# NEI Manufacturing Bearing LTD.



## NSK 110TMP12 thrust roller bearings

Bearing No. 110TMP12

Size	110x160x38 mm
Bore Diameter	110 mm
Outer Diameter	160 mm
Width	38 mm
d	110 mm
D	160 mm
hidYobi	110TMP12
LangID	1
D_	160
C	228
B_	38
hidTable	ecat_NSCRT
Oil rpm	1900
mass	2.66
d1	160
GRS rpm	630
ra	1
D_a	119
C0	855
D_1	113
Prod_Type3	TB_TCRB_A
da	150
DA_	15
Z_	20
Dw	15
yobi	110TMP12

110TMP12 Bearing 2D drawings and 3D CAD models



## NEI Manufacturing Bearing LTD.

RAC	60
t	11.5
r	1.1
T_	38
KBRG	4614