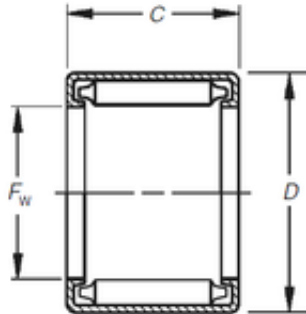




NEI Manufacturing Bearing LTD.

Timken B-1112 needle roller bearings



Bearing No. B-1112

Size	17.463x22.212x19.05 mm
Bore Diameter	17,463 mm
Outer Diameter	22,212 mm
Width	19,05 mm
Fw	17,463 mm
D	22,212 mm
C	19,05 mm
Weight	0,016 Kg
Basic dynamic load rating (C)	17,4 kN
Basic static load rating (C0)	37,1 kN
(Grease) Lubrication Speed	2700 r/min

B-1112 Bearing 2D drawings and 3D CAD models