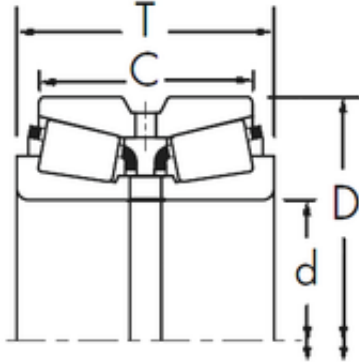




# NEI Manufacturing Bearing LTD.



Timken

LM451349/LM451310CD+LM451349XB tapered roller bearings

Bearing No. LM451349/LM451310CD+LM451349XB

Size	266.7x355.6x127 mm
Bore Diameter	266,7 mm
Outer Diameter	355,6 mm
Width	127 mm
d	266,7 mm
D	355,6 mm
T	127 mm
C	101,6 mm
R	3,5 mm
r	1,5 mm

LM451349/LM451310CD+LM451349XB Bearing 2D drawings and 3D CAD models